

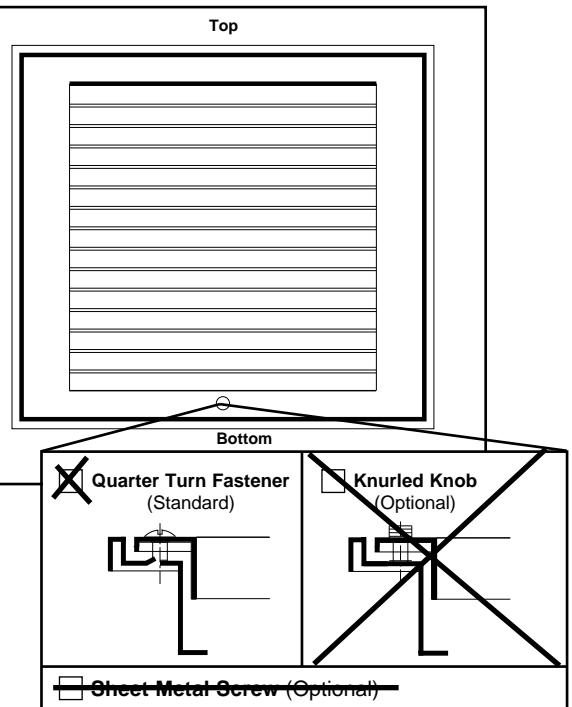
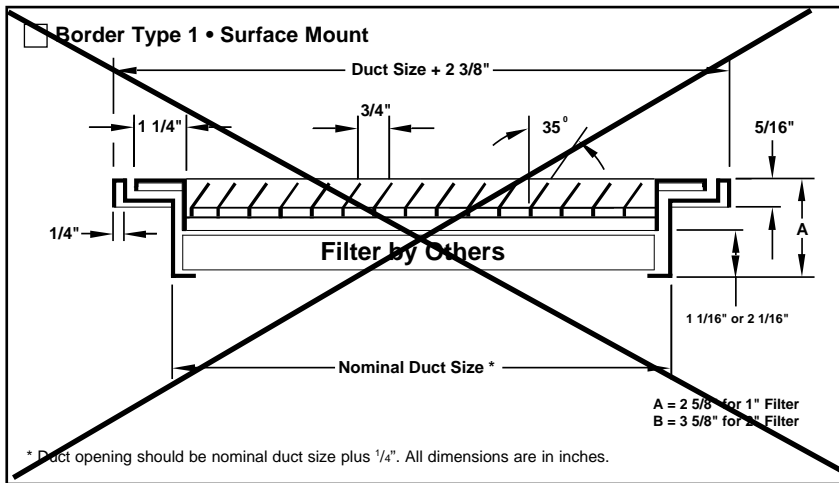
Louvered Return Filter Grille • Steel • 3/4" Blade Spacing

Models: ~~X~~350RLF1 • 35° Fixed Deflection • 1" Filter Frame • Long Blades

~~X~~350RSF1 • 35° Fixed Deflection • 1" Filter Frame • Short Blades

~~X~~350RLF2 • 35° Fixed Deflection • 2" Filter Frame • Long Blades

~~X~~350RSF2 • 35° Fixed Deflection • 2" Filter Frame • Short Blades



Options

Hinge location Check if provided

- ~~X~~ Hinged top
- ~~X~~ Hinged left
- ~~X~~ Hinged right
- ~~X~~ Hinged bottom
- ~~X~~ No hing

Frame

Sizes 10" x 8" through 24" x 24" have 22 gauge roll formed frames. Sizes larger than 24" x 24" have heavy duty extruded frames.

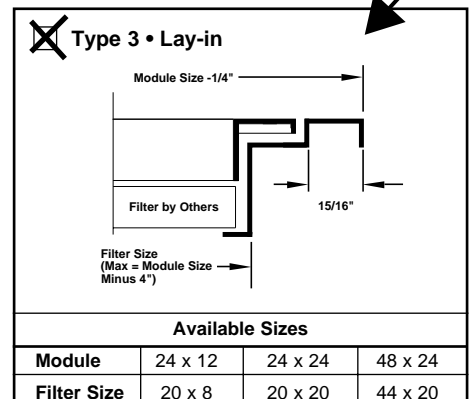
Standard Finish:

#26 White Other _____

Available Sizes & Common Filter Sizes: (Common filter sizes are shaded) (N/A = Not Available)

Height (Inches)	Width (Inches)																
	10	12	14	16	18	20	22	24	25	26	28	30	32	34	36	38	40
8	X	X	X	X	X	X	X	X	N/A	X	X	X	X	X	X	X	X
10	X	X	X	X	X	X	X	X	X	X	X	X	X	X	X	X	X
12		X	X	X	X	X	X	X	X	X	X	X	X	X	X	X	X
14			X	X	X	X	X	X	X	X	X	X	X	X	X	X	X
15				N/A	N/A	N/A	N/A	N/A	X	N/A	N/A	X	N/A	N/A	N/A	N/A	N/A
16				X	X	X	X	X	X	X	X	X	X	X	X	X	X
18					X	X	X	X	X	X	X	X	X	X	X	X	X
20						X	X	X	X	X	X	X	X	X	X	X	X
24							X	N/A	X	X	X	X	X	X	X	X	X
25								X	N/A	N/A	N/A	N/A	N/A	N/A	N/A	N/A	N/A

Note: Filter by others.



General Description

- Series 350 filter grilles feature 20 gauge louvers spaced 3/4" apart.
- 350 models are available in common filter sizes. 1" thick filters may be purchased from hardware stores for the most common sizes.

- Blade deflection angle is 35°.
- Quarter turn fasteners are standard to make filter access easy.
- #8 x 1 1/4" lg. Phillips flat head sheet metal screws painted white.

• All dimensions are ± 1/16".