

Securing the Inner Cones

Step One

Insert the inner cone assembly upwards into the outer cone assembly aligning the inner cone assembly tangs with the receptor slots on the outer cone assembly.

Step Two

Rotate the inner cone assembly 10° so that the retainer point has passed the receptor slot and the weight of the inner cone assembly is supported by the receptor slots of the outer cone assembly. A set of springs clips apply pressure to the tangs locking the tangs into the receptor slots.

Step Three

"L" shaped retainer brackets are shipped retracted and must be adjusted upwards against the outer cone. After installation of the inner cones, as described above, each "L" slide retainer should be released and extended upward against the outer cone.

Step Four

Lock each "L" slide retainer in place with the screw provided to prevent release of the tangs on the inner cones from the receptor slots.

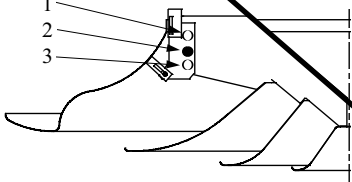
Note: Steps 3. and 4. below apply only to diffusers with neck size of 14" through 36".

Adjusting Inner Cone Position (TMRA only)

Type 1: 3 Fixed Positions

Positions:

1
2
3



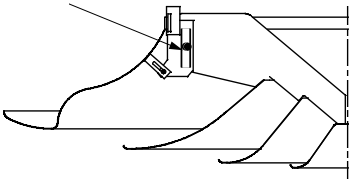
Type 1 Inner Cone:

The type 1 inner cone assembly has three fixed cone positions. The cone position is adjusted by removing the cone assembly and repositioning it.

To reposition the inner cone assembly remove the positioning screws and align the screw hole with the new position desired. Insert and tighten the screws in the new position.

Type 2: Sliding

Slide inner core up and down



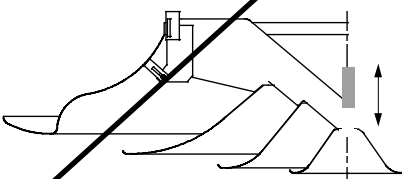
Type 2 Inner Cone:

(Steel only, sizes 6"-12")

The type 2 inner cone assembly is adjusted by sliding the inner cones up or down as desired.

To reposition the cones loosen the positioning screws and slide the cones to the new position. Tighten the screws to secure cones in place.

Type 3: Rotating



Rotate center cone

Type 3 Inner Cone :

(Steel only)

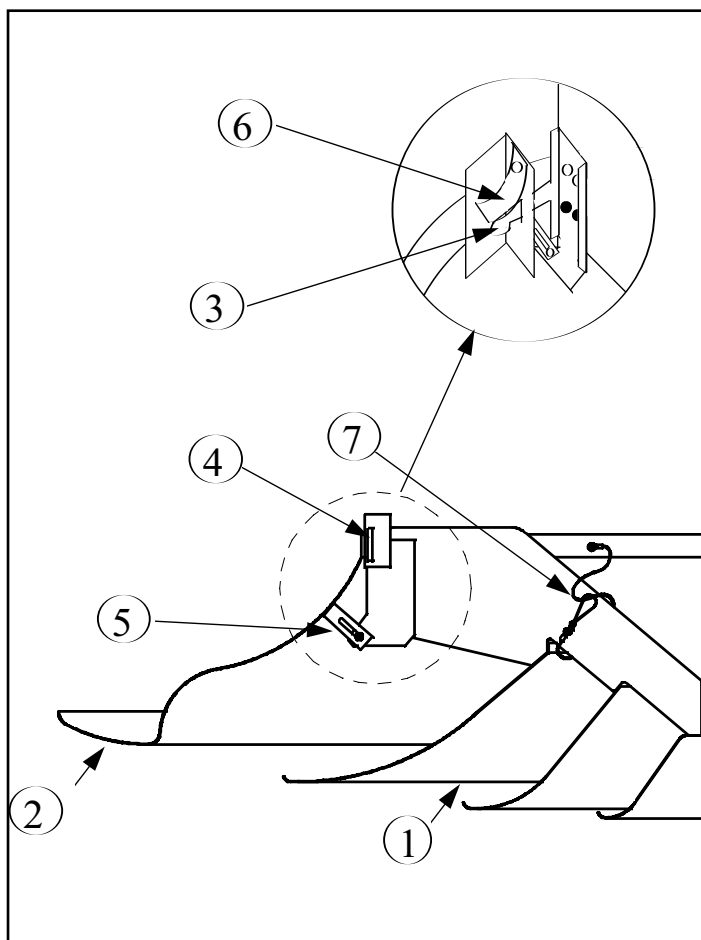
The type 3 inner cone assembly is adjusted by rotating the center cone.

To reposition the cones, rotate the center cone clockwise or counterclockwise to raise or lower the cones.

Round Ceiling Diffuser

Models: TMR • Steel • Two Horizontal Discharge Patterns

~~TMR-AA • Aluminum • Two Horizontal Discharge Patterns~~



General Installation

Attach neck of diffuser to duct by screwing through the duct into the neck of the diffuser.

Item Description

1. Inner cone assembly
2. Outer cone assembly
3. Tang
4. Receptor slot
5. "L" slide retainer
6. Spring clip
7. Safety cable

Note: Safety cables are provided for maintenance purposes to allow the inner cone assembly to hang during maintenance of diffuser.

Warning: Cables are not to be removed from installation.

Adjusting Inner Cone Position
(TMRA only)