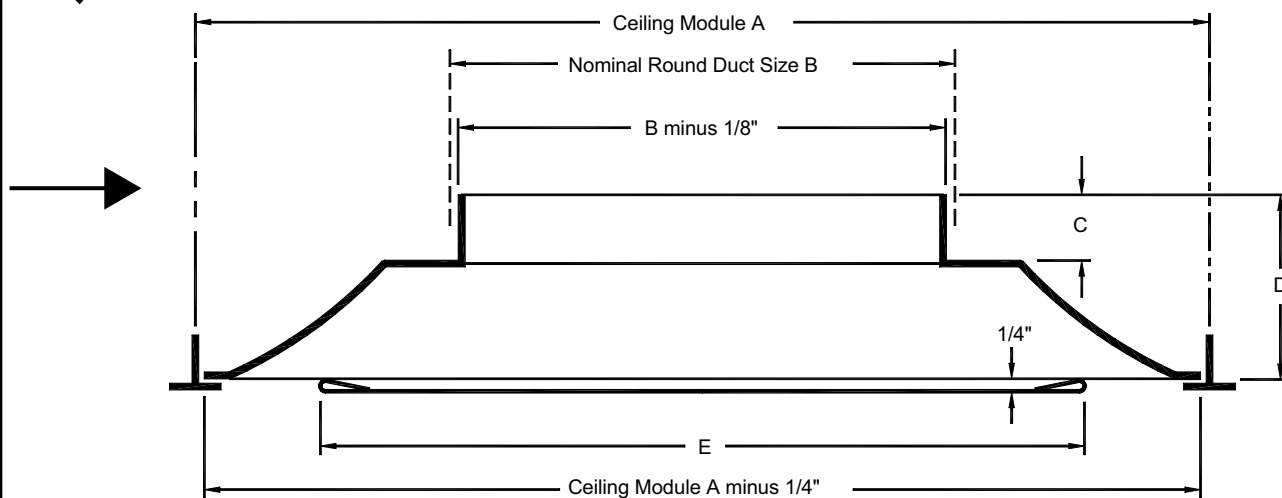


Architectural Ceiling Diffusers

Steel • Architectural • Square Panel • Horizontal Air Pattern

Model: OMNI • Round Neck

Frame Type 3 (Lay-In) Full Face.



Ceiling Module A	Nominal Round Duct Sizes B	C	D	E
12 x 12	4, 5*	2 7/8	4	9
	6, 7	1 1/8	2 1/4	
	8	1 1/4	2 3/8	
24 x 24	6, 8	1 1/4	3 3/4	18
	10, 12, 14, 15	1 3/8	3 7/8	

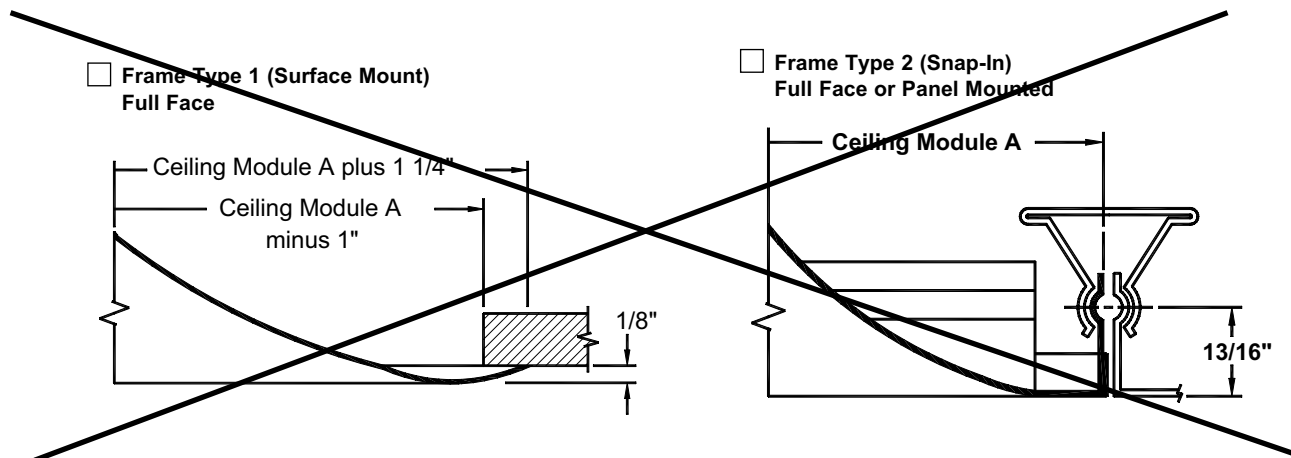
Ceiling Module	Face Size	Nominal Round Duct Sizes	Frame Types
12 x 12	12 x 12	4, 5*, 6, 7, 8	1, 2, 3, 4
24 x 24	24 x 24	6, 8, 10, 12, 14, 15	1, 2, 3, 4, 4V, 4F

Note: *Adapter is provided for sizes 4 and 5.

* Adapter is provided for Sizes 4 and 5.

Frame Type 1 (Surface Mount) Full Face

Frame Type 2 (Snap-In) Full Face or Panel Mounted



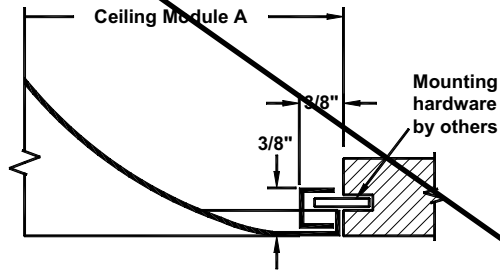
All dimensions are in inches.

(Please see reverse side.)

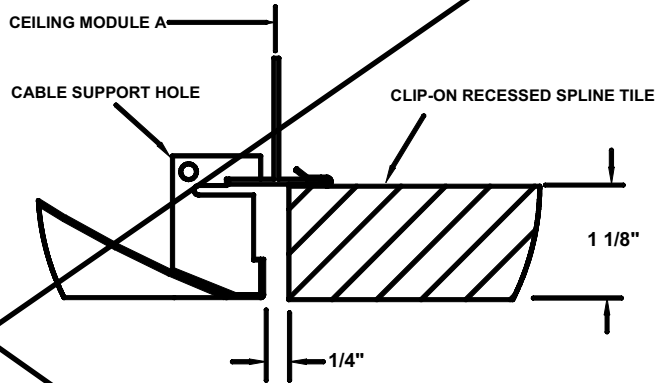
Other Available Border Types

Check selection

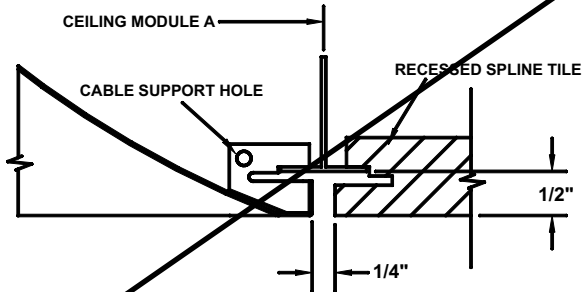
Frame Type 4 (Spline)
Full Face or Panel Mounted



Frame Type 4T (Clip-On Recessed Spline)
Full Face



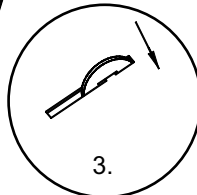
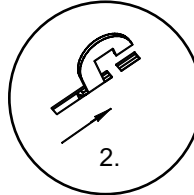
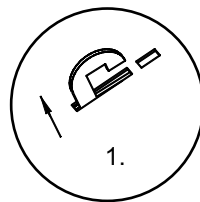
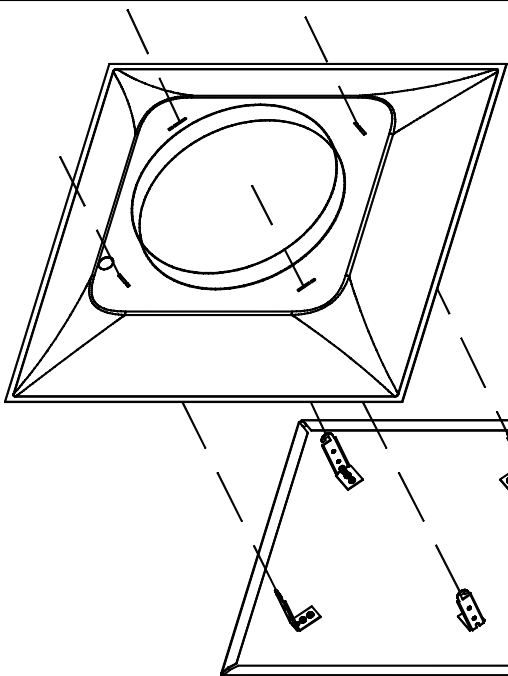
Frame Type 4V (Recessed Spline)
Full Face



Note: If Border 4V is adjacent to a light fixture a gap will be visible above the backpan. A t-bar extender is available to fill this void, available from the ceiling manufacturer.

Borders 4V and 4T has four mounting clips. Two clips on opposed sides with holes to attach mounting wire from above.

Installing and Removing Face Panel • ~~Adjusting Optional Damper~~



Installing Face Panel

1. Insert the hook brackets into the slots in the backpan.
2. Rotate the face panel clockwise until...
3. the hooks positively engage in the secondary slots in the backpan.

Removing Face Panel

1. Lift the faceplate towards the backpan to disengage the hook brackets from the backpan slots.
2. Rotate the faceplate counter-clockwise.
3. Lower the faceplate away from the backpan.

~~Adjusting Optional Damper~~

1. Remove face panel as above.
2. Use flat blade screwdriver to turn operator shaft at center of damper.
3. Replace face panel

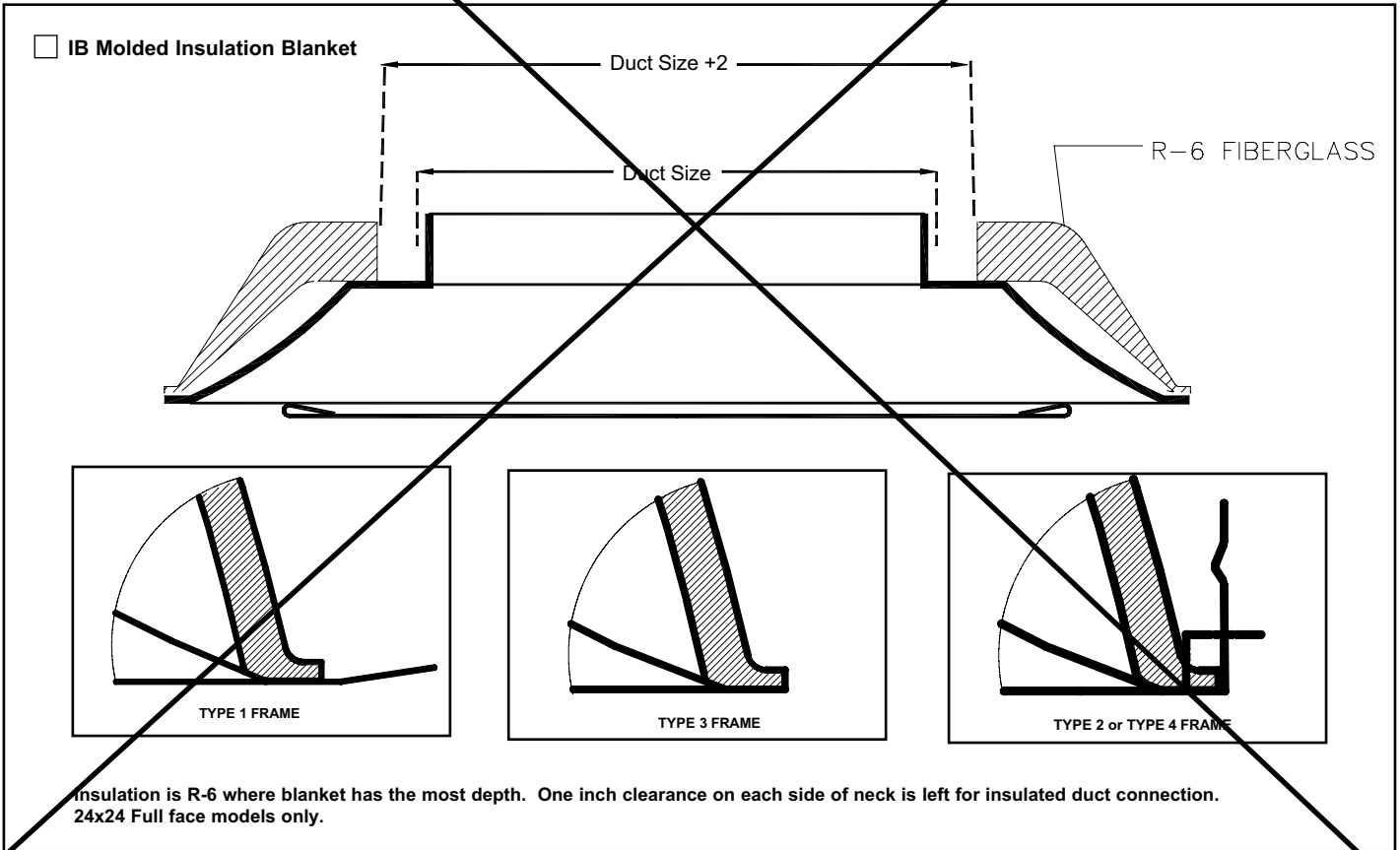
Submittal D-OMNI

Accessories (Optional) Continued

Dimension "A" in Inches, for Dampers Shown

Accessories	Nominal Round Duct Sizes							
	6	7	8	10	12	14	15	
1 D-75	2 3/8	2 7/8	3 1/4	4 1/8	4 7/8	N/A	N/A	
2 AG-75	2 3/4	3 1/4	3 5/8	4 1/2	5 3/8	2 3/4	3	
3 AG-85	2 1/2	3	3 1/2	4 1/2	5 1/2	6 1/2	7	
4 AG-65	3 3/8	4	4 1/2	5 1/2	7 1/8	8 5/8	9	
5 D-100	—	—	—	—	—	—	N/A	
6 AG-100	—	—	—	—	—	—	N/A	

Notes 5 and 6 :
 Model D-100 and AG-100 dampers have radial blades that slide in a horizontal plane. For that reason, no opening clearance "A" is dimensioned.



Standard Finish: #26 White

General Description

- The TITUS OMNI diffuser is designed to satisfy architectural as well as engineering criteria. Its strong, clean, unobtrusive lines harmonize with the ceiling system, without sacrificing performance.
- The curvature of the OMNI backpan works with the formed edges of the face panel to deliver a 360° tight horizontal air pattern, without excessive noise or pressure drop.
- The OMNI diffuser is an excellent choice for variable volume systems. The air pattern remains tight and horizontal for effective room air distribution, even when the air volume varies over a wide range.
- The edges of the face panel are formed to a radius for solid, crisp appearance. The formed edges also stiffen the face panel and assure a straight and level surface.
- The panel can be removed from the backpan for easy installation of the diffuser or for access to the optional damper.
- Optional Directional Blow Clips (model DB) allow the air pattern to be changed to three, two or one blow direction.
- Optional molded insulation blanket (IB) with R-6 rating available for use with border styles 1, 2, 3, and 4, 24x24 full face models.



Note: This submittal is meant to demonstrate general dimensions of this product. The drawings on this submittal are not meant to detail every aspect of the product with exactness. Drawings are not to scale. TITUS reserves the right to make changes without written notice.