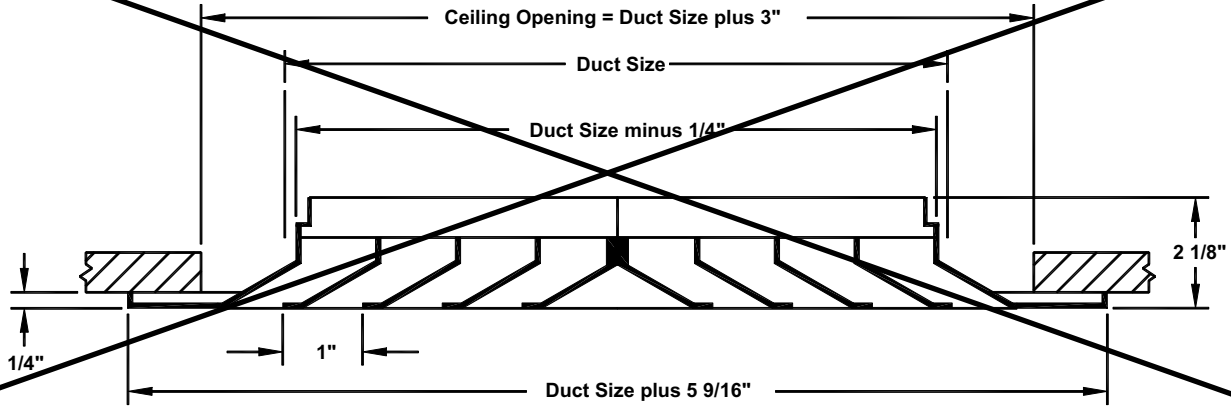


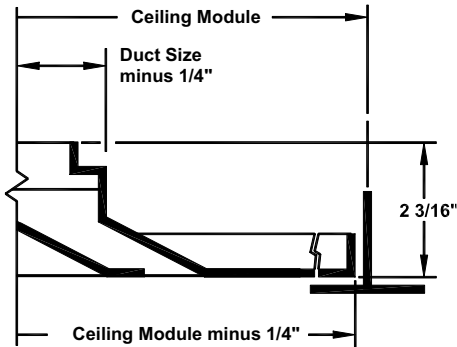
~~MCD~~ • 1, 2, 3 or 4-Way Adjustable Discharge Pattern

Square Ceiling Diffusers • Modular Core • Steel

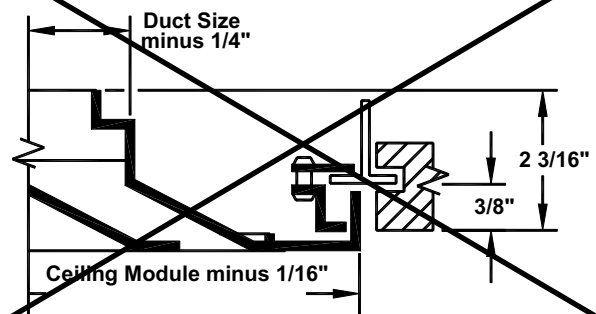
Border Type 1 (Surface Mount)



~~Border Type 3 Lay-In~~



Border Type 4 (Spline)



Available Duct Sizes

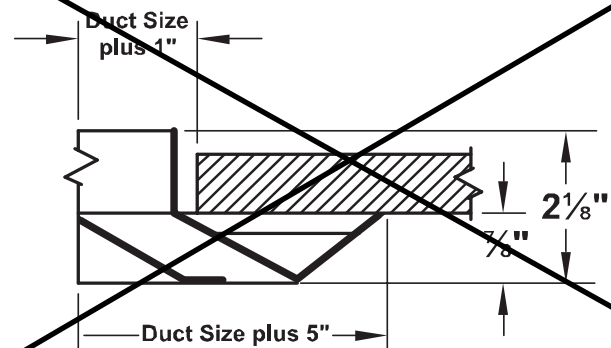
~~Border Type 1, 6~~

Duct Size		
6x6	14x14	22x22
8x8	16x16	24x24
10x10	18x18	
12x12	20x20	

Border Type 3, 4		
Available Module Size	Duct Size	
24x24	6x6	6x6
	10x10	12x12
	14x14	16x16
	18x18	18x18

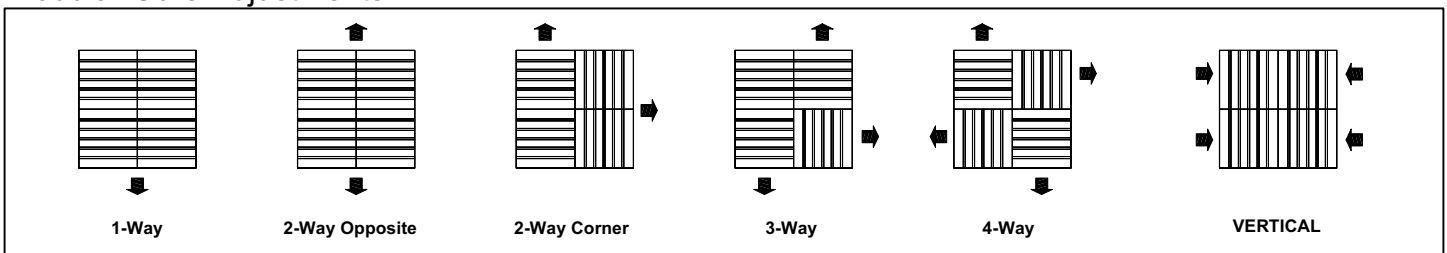
Note: All units have 4 individually adjustable cores.

Border Type 6 (Beveled Drop Face)



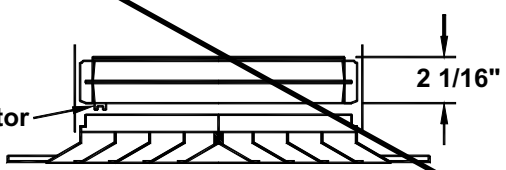
Modular Core Adjustments

Dimensions are in inches.



Accessories (Optional) Check if provided.

Model AG-95 Opposed Blade Damper

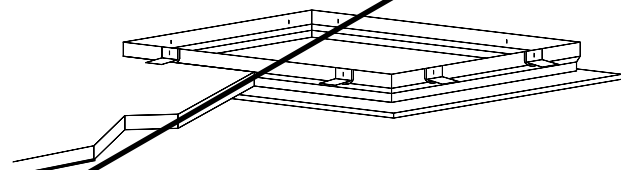


Slot Operator

2 1/16"

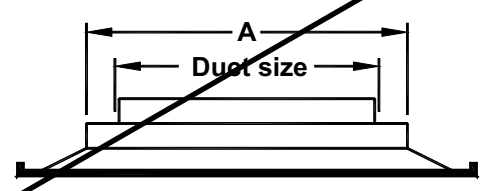
Available in duct sizes 6 x 6 through 24 x 24.

TRM TITUS Rapid Mount Frame



For Surface Mounting Border Type 3

Available Duct Sizes, Round Necks



Border Type 13		
Available Module Size	Minimum A	Available Round Duct Size
24x24	6x6	6
	12x12	6, 8, 10, 12

*Note: Round duct sizes are available only in sizes shown.

Standard Finish: #26 White

General Description

- The Model MCD modular core diffuser is an extremely flexible diffuser. The model MCD can be adjusted for 1, 2, 3 or 4-way air patterns after being installed.
- Model MCD diffuser maintains a horizontal flow pattern from maximum to minimum CFM making it an excellent choice for variable air volume applications.
- Optional AG-95 (square and rectangular) opposed blade damper is accessible from the face by removing a modular core.
- MCD is shipped with the modular cores set for 4-way throw.
- Material is steel.

This submittal is meant to demonstrate general dimensions of this product. The drawings are not meant to detail every aspect of the product. Drawings are not to scale.

Titus reserves the right to make changes without written notice.

All rights reserved. No part of this work may be reproduced or transmitted in any form or by any means, electronic or mechanical, including photocopying and recording, or by any information storage retrieval system without permission in writing from Tomkins Industries, Inc.