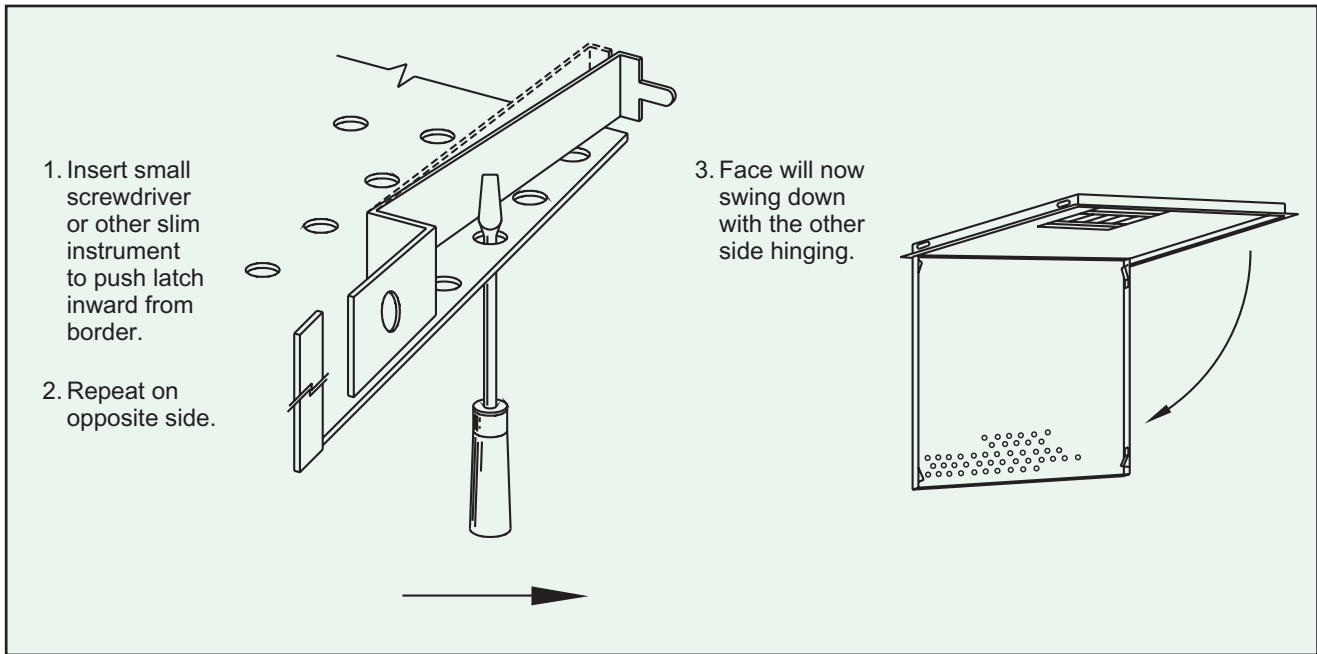




Removing Perforated Face



F

Installation Details

Adjusting Pattern Controllers

