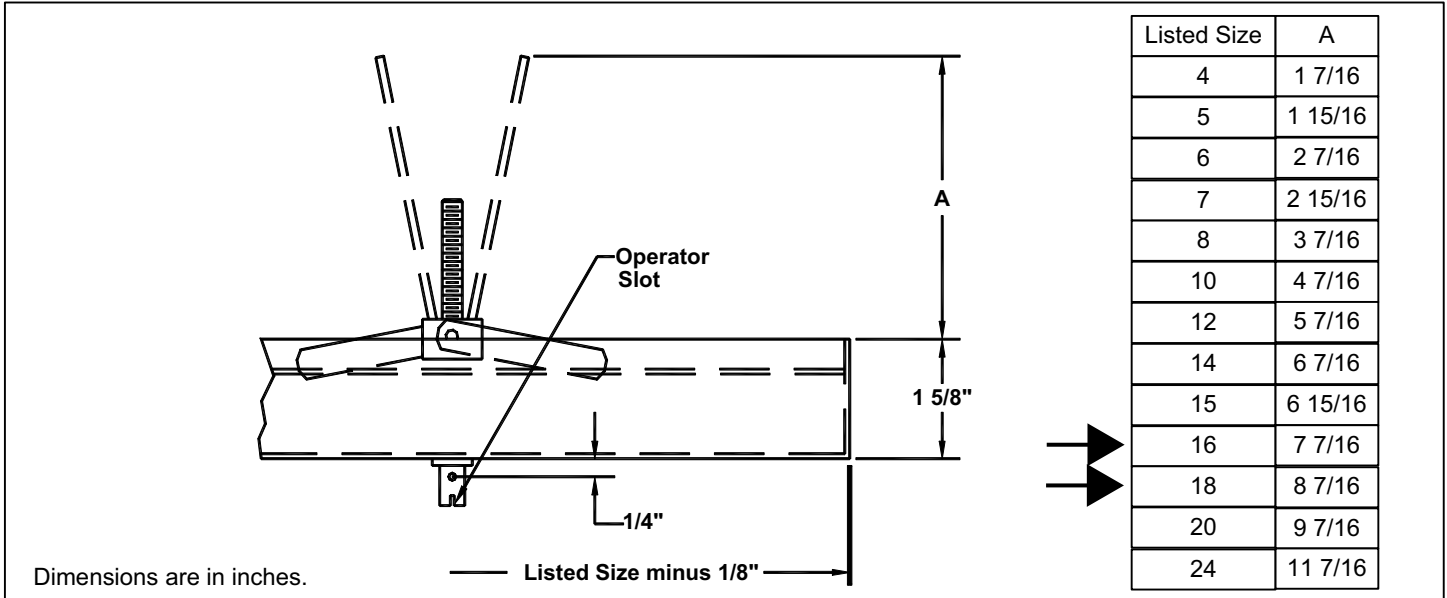


AG-85

Air Balancing Devices
 Butterfly Damper • Duct Mounted
 For Round Necks



Standard Finish: #84 Black

General Description

- The TITUS AG-85 is a duct mounted butterfly damper used in round duct applications.
- Continuously adjustable from fully open to fully closed.
- Friction pivots hold the heavy gauge blades at the desired setting.
- Damper blades open upward into air stream.
- Not recommended for use with flexible duct.
- Adjustable at screwdriver operator slot.
- Shipped loose for field installation.
- Material is heavy gauge steel.

This submittal is meant to demonstrate general dimensions of this product. The drawings are not meant to detail every aspect of the product. Drawings are not to scale. Titus reserves the right to make changes without written notice.