

PURPOSE DESCRIPTION

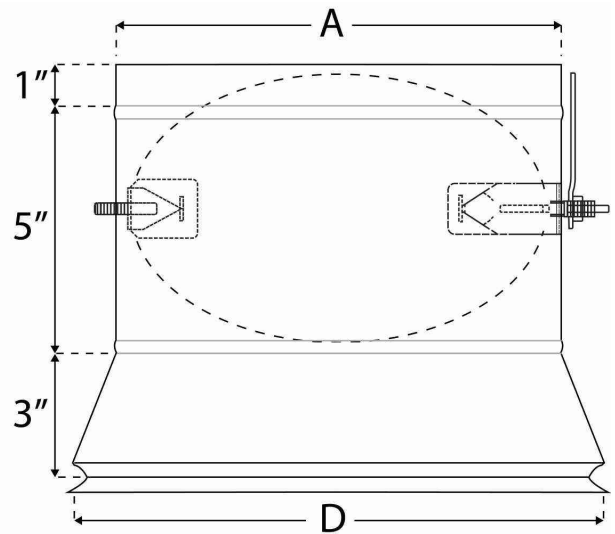
The CONICAL SPIN with damper (CSD) is used to make high efficiency takeoffs on sheet metal duct.

CONSTRUCTION

1. Standard body material is 26 gauge galvanized steel.
2. The body and barrell are fastened with spotwelds and stitch welds.
3. The damper is of the same material.
4. The barrell is SMACNA beaded for optimal flex duct retention and as a gasket for pipe.
5. The spin pocket is optimal for the application.

DAMPER CONTROL

D - clenched head and tail damper axle, 2 3/4" handle, lock nut(s) no rattle



CSD

DUCT SIZE	A	B	C	D Cut Hole
4	3 7/8		2 1/4	6
5	4 7/8		3	7
6	5 7/8		3 1/2	8
7	6 7/8		4	9
8	7 7/8		4 1/2	10
9	8 7/8		5	11
10	9 7/8		5 1/4	12
12	11 7/8		6 1/2	14
14	13 7/8		7 1/4	16
16	15 7/8		8 3/4	18
18	17 7/8		9 1/2	20
20	19 7/8		10 1/2	22

MATERIAL OPTIONS

- 24 gauge steel
- 22 gauge steel
- Aluminum
- Stainless steel
- heavy dampers