

MODULAR VAV SYSTEMS



BULLETIN

Adjusting Changeover Element

The Changeover Elements and Adjusting screw, both located in the neck of the Therma-Fuser, were factory adjusted in place with blue paint or Loctite. Readjustment is not required unless:

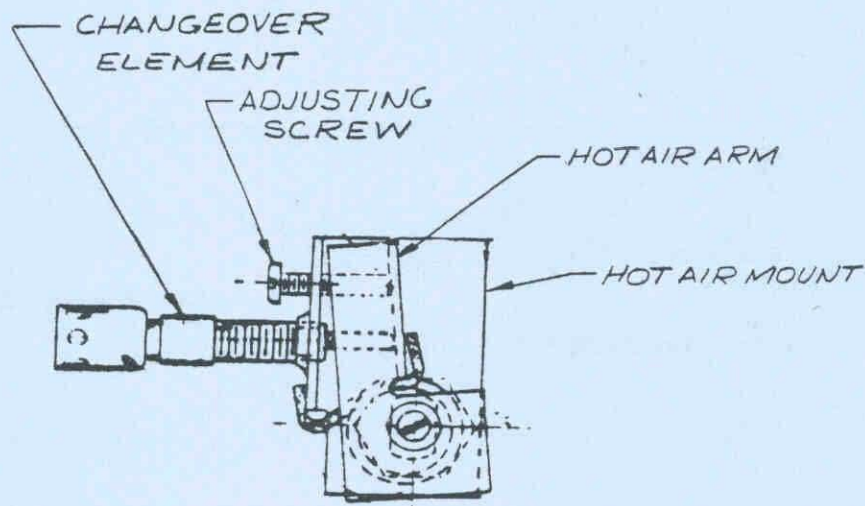
1. The blue paint/Loctite seal has been broken. This is usually a result of tampering.
2. The Changeover Element is replaced.

Access to the Changeover Element. The Changeover Element and Adjusting Screw are located in the neck of the Therma-Fuser. Three methods can be used to reach them:

1. Disconnect the duct from the neck of the Therma-Fuser. If in a lay-in ceiling this will allow removal of the Therma-Fuser for adjustment.
2. If access above the ceiling is easy (removable ceiling tiles) but the duct connection cannot be disconnected easily, drop the Diffusion Plate Assembly out of the can. This is done by removing the four Phillips screws on the top, flat surface of the can.
3. If access to the ceiling is not easy, remove the Diffusion Plate Assembly from below following the instructions in Acutherm Bulletin No. 10.03IBM882, Removing and Reinstalling Diffusion Plate Assembly from a Therma-Fuser Installed in the Ceiling.

When re-installing the Diffusion Plate Assembly in the Can be sure to orient the Room Thermal Element to the side it originally faced.

The Changeover Element sub-assembly is shown below:

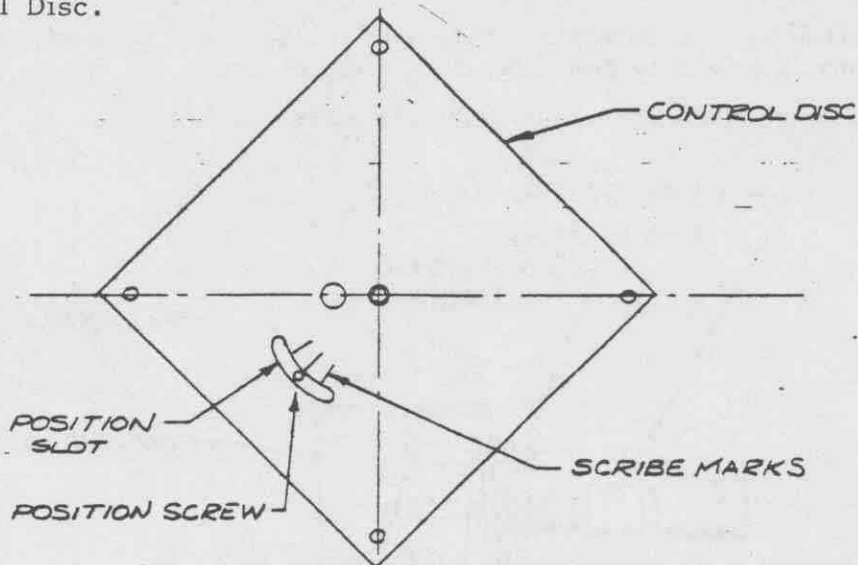


Over

10/27/82

Changing or Adjusting the Element.

1. Remove Changeover Element.
2. Mark location of Room Thermal Element with felt pen so you can get it back to the same setting to maintain the room temperature the occupant has selected. You can also measure the distance from the front of the Thermal Element bulb to the CA Mount and use this measurement to reset the Room Thermal Element.
3. Remove Room Thermal Element. This is necessary to avoid the shaft touching the CA Arm and interfering with the adjustment. Alternative: Screw room thermal elements out (warm) and then cool them with ice.
4. Observe location of Position Screw in Position Slot on Control Disc. (See Sketch) Unless the Adjusting Screw has been tampered with the center scribe mark should line up with the center of the Position Screw.
5. If center scribe mark on Control Disc does not line up with center of Position Screw, adjust Adjusting Screw on HA Mount until center scribe mark on Control Disc lines up with center of Position Screw. Secure adjustment screw with Loctite to prevent movement.
6. Cool Changeover Element in a bucket of ice water. Install new Changeover Element and screw in until HA Arm just begins to move off from the adjustment screw. Then back off $\frac{1}{2}$ to 1 turn. Secure with Loctite to prevent movement.
7. Cool Room Thermal Element in a bucket of ice water. Re-install and set to same position as marked Step 2 above. Be sure shaft seats in dimple of CA Arm as seen through the round hole in the Control Disc.



LOCATING POSITION SCREW IN POSITION SLOT

NOTE: Loctite 271 is best for securing element. Fingernail polish also works well.