

Square Ceiling Diffusers
Steel • Adjustable • High Performance

Model: TMSA • Round Neck • Vertical-to-Horizontal Discharge Pattern

Frame Type 3 (Lay-In) Full Face. For other border types, please see next page.

Ceiling Module A	Nominal Round Duct Size B	C	D	E
12 x 12	4, 5*	3 1/8	5 3/8	3/8
12 x 12	6, 7	1 1/8	3 3/8	3/8
12 x 12	8	1 1/4	3 1/2	5/8
24 x 24	6, 8	1 1/4	5	1/4
24 x 24	10, 12, 14, 15	1 3/8	5 1/8	1/4

* Adapter is provided for Sizes 4 and 5.

Frame Type 3 (Lay-In) Panel Mount. For other border types, please see next page.

Ceiling Module A	Nominal Round Duct Size B	Nominal Face Sizes F	C	D	E
24 x 24	4, 5*	12 X 12	3 1/8	5 3/8	3/8
24 x 24	6, 7	12 X 12	1 1/8	3 3/8	3/8
24 x 24	8	12 x 12	1 1/4	3 1/2	5/8

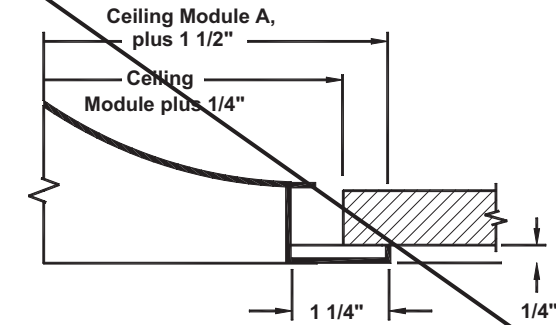
* Adapter is provided for Sizes 4 and 5.

All dimensions are in inches.

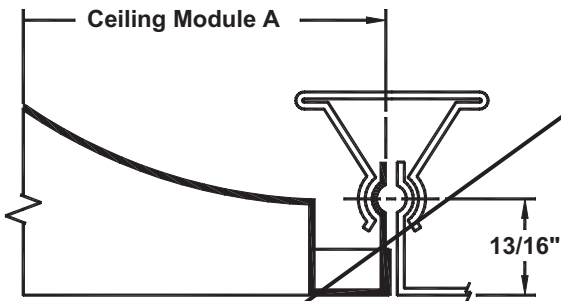
(Please see reverse side.)

Other Available Border Types

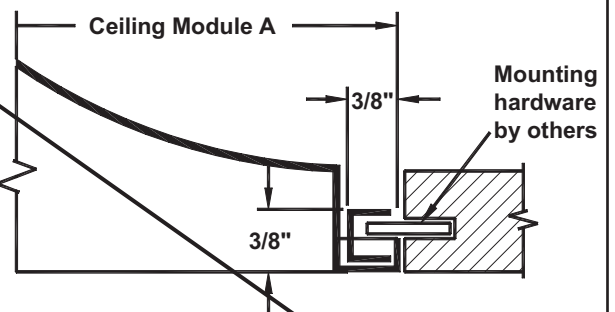
Frame Type 1 (Surface Mount)
Full Face



Frame Type 2 (Snap-In)
Full Face or Panel Mounted

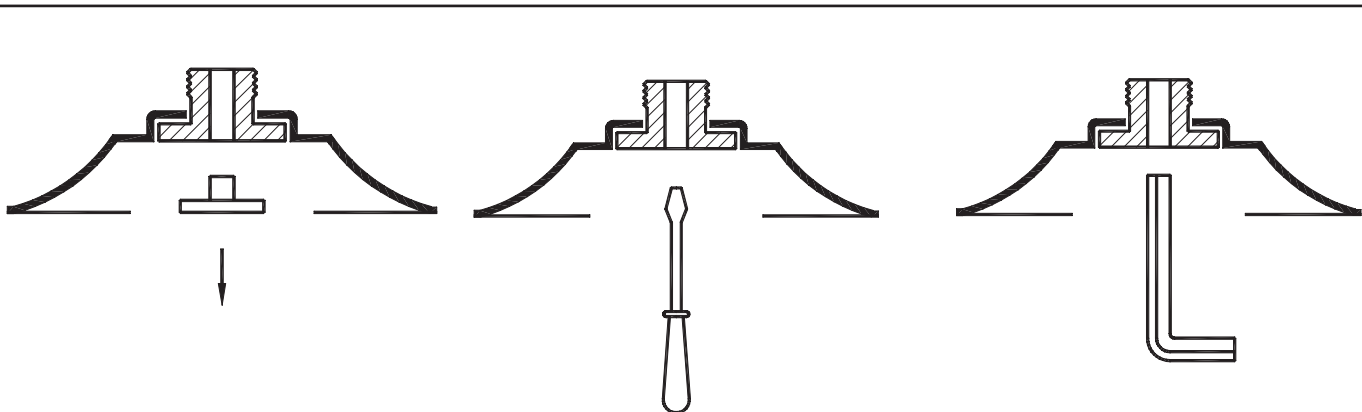


Frame Type 4 (Spline)
Full Face or Panel Mounted



Ceiling Module	Face Size	Nominal Round Duct Sizes	Frame Types
12 x 12	12 x 12	4, 5, 6, 7, 8	1, 2, 3, 4
24 x 24	24 x 24	6, 8, 10, 12, 14, 15	1, 2, 3, 4
24 x 24 (Panel)	12 x 12	4, 5, 6, 7, 8	2, 3, 4

Adjusting Optional Damper • Removing Center Cone



1. Remove center pin.

2. To adjust optional damper, insert screwdriver through hex hole.

3. To remove center cone, insert hex key (by others) and unscrew center hub.

Submittal D-TMSA

Other Accessories (Optional)

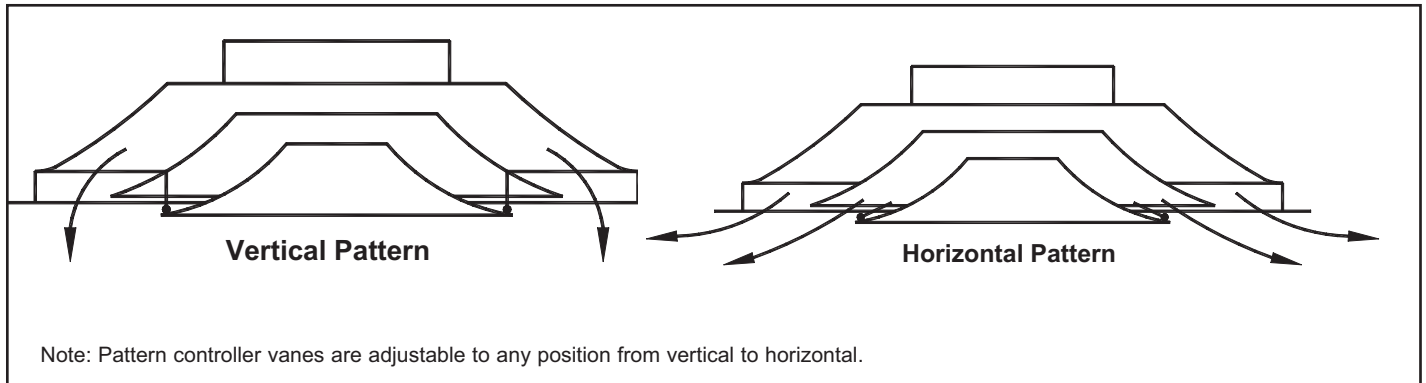
Check if provided

Model SB Sectorizing Baffles

TRM TITUS Rapid Mount Frame

For Surface Mounting Border Type 3

Model TMSA Discharge Pattern



Standard Finish: #26 White

General Description

- Model TMSA includes adjustable vanes which vary the discharge pattern between horizontal and vertical.
- Delivers supply air in a true 360° pattern. Designed to protect ceiling from streaking and smudging.
- Excellent for variable volume systems. The uniform jet maintains effective room air distribution even when air volume varies over a considerable range.
- The TMSA consists of 3 concentric cones in all sizes. This uniformity of design enhances appearance in installations where more than one size is involved.
- Screwdriver adjustment of the optional damper is achieved without removing the inner cone. (See Note 2, Page 2).
- Quick removal of inner cone with a hex key speeds installation. (See Note 3, Page 2).
- All cones are die-stamped one piece construction with smooth, clean surfaces and no corner joints.
- Material is heavy gauge steel.



Note: This submittal is meant to demonstrate general dimensions of this product. The drawings on this submittal are not meant to detail every aspect of the product with exactness. Drawings are not to scale. TITUS reserves the right to make changes without written notice.