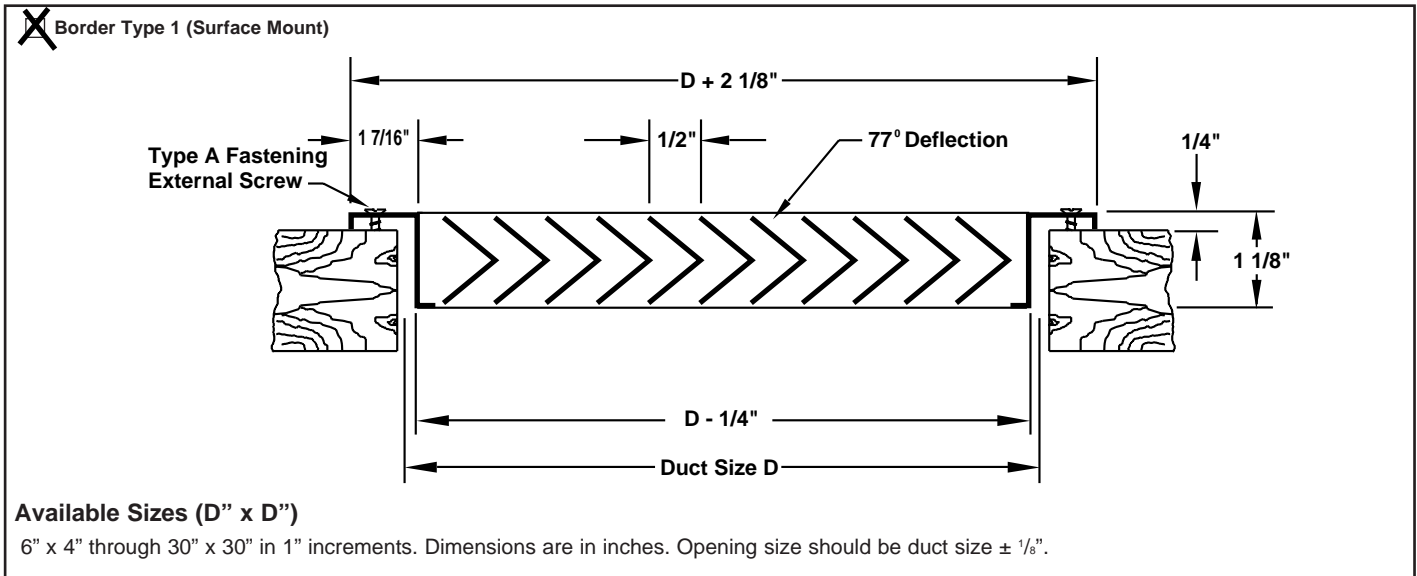
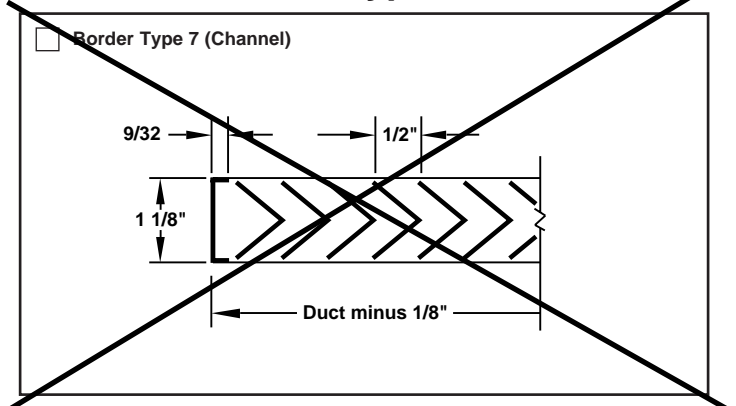


Door Return Grille • Sight Proof Steel

Model: T-700L • Long Blades
~~T-700S • Short Blades~~

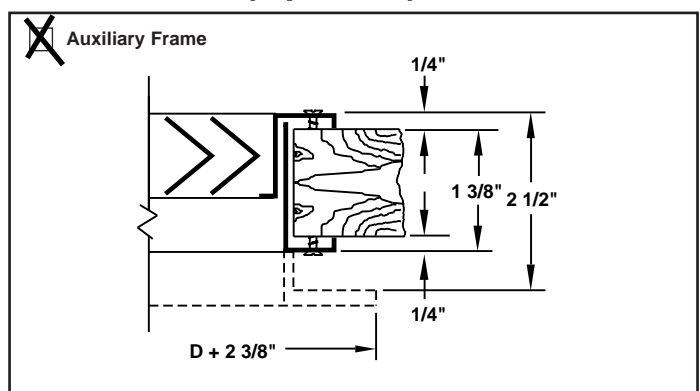


Additional Border Type



Accessories (Optional)

Check if provided.



Standard Finish: ~~#20 White~~
 Optional finish #01 - Aluminum Paint

General Description

- Model T-700 offers the largest free area possible with a completely sight proof design.
- Widely used, not only in doors, but also in place of exhaust and return grilles where it is important that the interior of the plenum or duct be concealed.
- Inverted-V blades not only block vision but also provide stiffness.
- Provides exceptional resistance to bumps and kicks.
- Material is heavy duty 20 gauge steel.