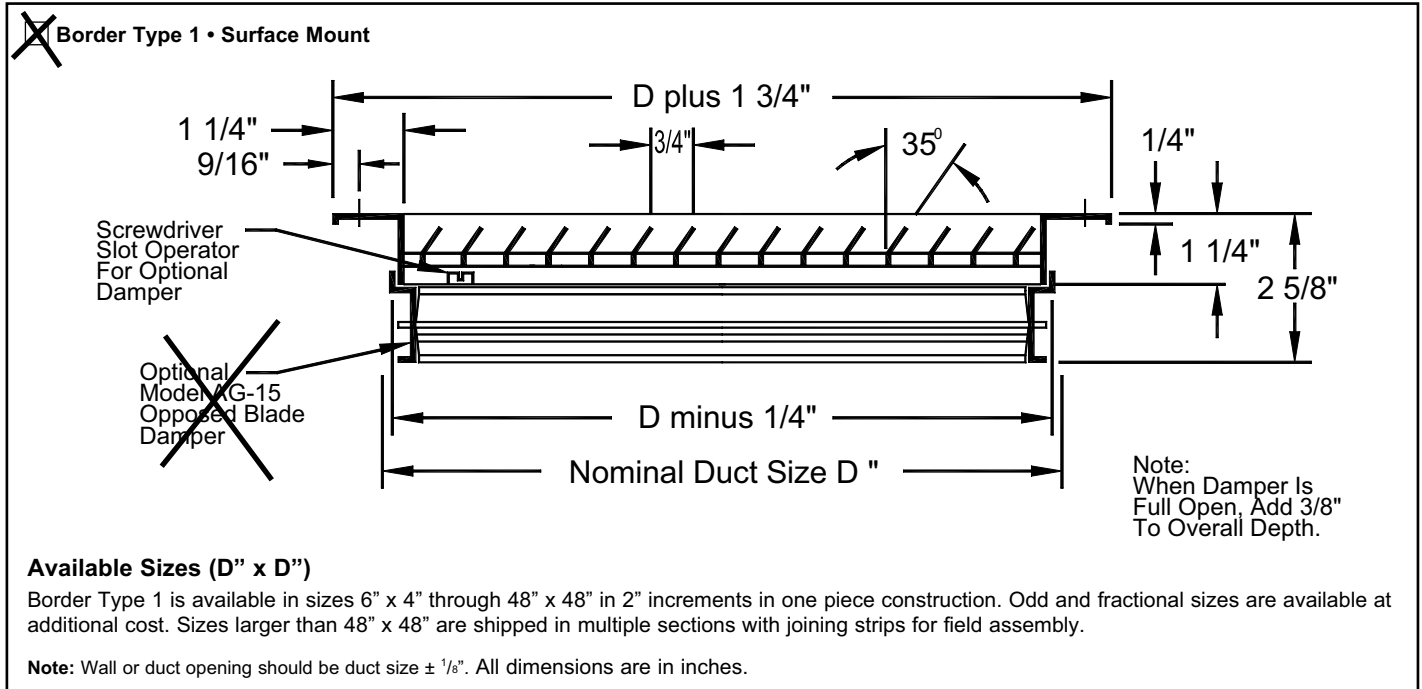


Louvered Return Grilles and Registers • Steel

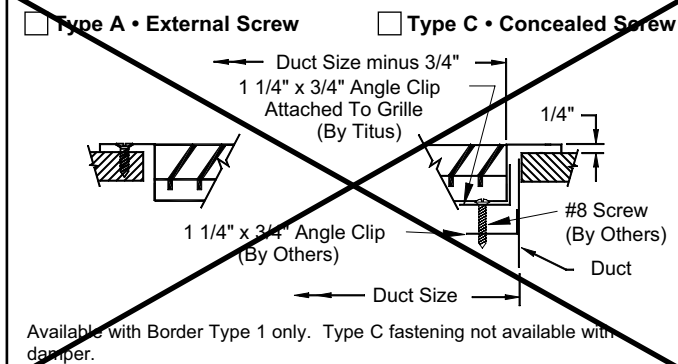
Models: ~~X~~ 350RL • 35° Deflection • Long Blades • 3/4" Blade Spacing

~~□ 350RS • 35° Deflection • Short Blades • 1/2" Blade Spacing~~

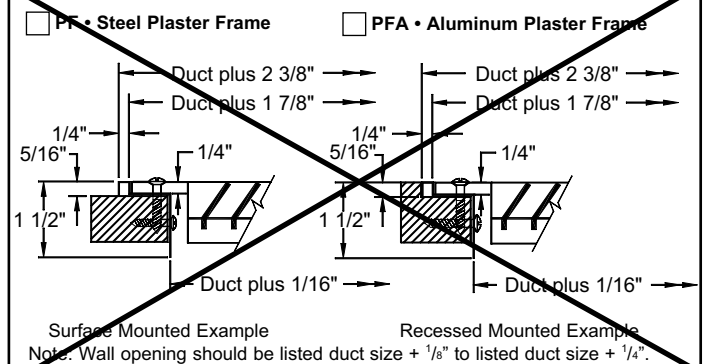


Fastenings

Note: No Screw Holes - for Lay-in Application



Mounting Frames



Accessories (Optional)

Check if provided

- Neck mounted opposed blade damper (galvanized steel)
- IS • Insect Screen (1/16" square mesh - galvanized steel)
- DS • Debris Screen (1/4" square mesh - galvanized steel)
- EQT • Earthquake tabs
- Other _____

Standard Finish: #26 White

Optional finish _____

General Description

- Available with louvers vertical or horizontal.
- #8 x 1 1/4" lg. Phillip's flat head sheet metal screws painted white.
- Optional opposed blade damper has screwdriver adjustment accessible through face of register.
- Material: Steel.
- All dimensions are ± 1/16".



Note: This submittal is meant to demonstrate general dimensions of this product. The drawing on this submittal are not meant to detail every aspect of the product with exactness. Drawings are not to scale. TITUS reserves the right to make changes without written notice.

G-11.0-S