

## Application

CD-10R control dampers employ a single round center-V blade and are supplied standard with a manual locking quadrant for manual air control and balancing in low pressure and velocity applications.

## Standard Construction

**Frame:** 6" × 22 ga. (152 × 0.85) galvanized steel.

**Blades:** 22 ga. (0.85) galvanized steel — single round center-V.

**Axles:** 3/8" (10) square plated steel.

**Bearings:** Synthetic

**Control Shaft:** 3/8" × 3" (10 × 76) square drive axle with manual locking quadrant factory installed.

**Minimum Size:** 4" Ø (102 Ø)

**Maximum Size:** 24" Ø (610 Ø)

## Options

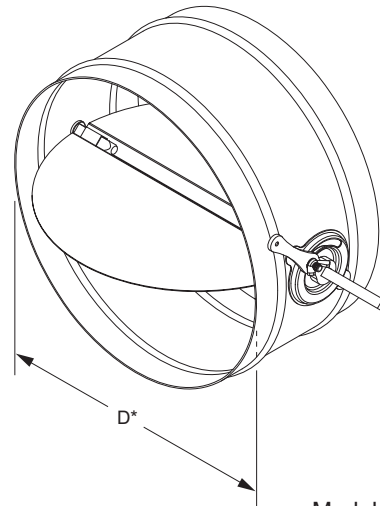
- Alternate blade (includes 20 ga. (1.0) frame):
  - 20 ga. (1.0)     16 ga. (1.6)
- Quadrant standoff bracket — for insulated duct:
  - Depth:  1" (25)     1 1/2" (38)     2" (51)
- Type-304 stainless steel construction.

## Ratings

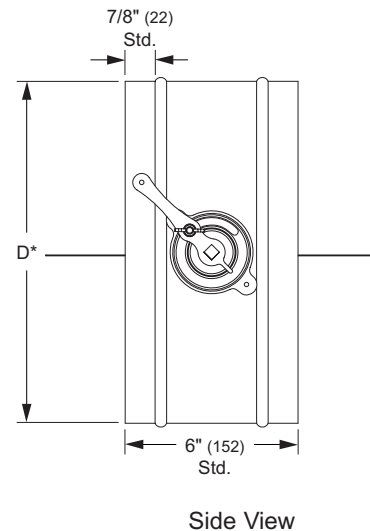
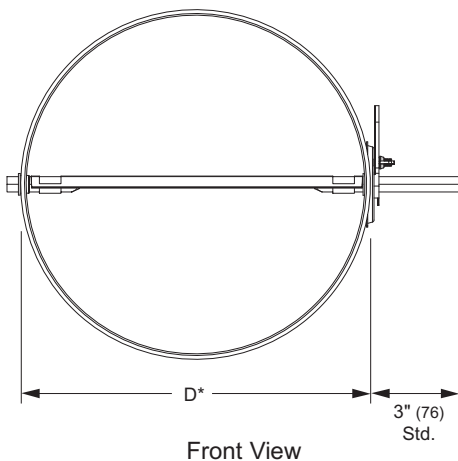
**Maximum System Velocity:** 1500 fpm (7.7 m/s)

**Maximum System Pressure:** 1 in. wg (0.25 kPa)

**Temperature:** -25°F to 180°F (-32°C to 83°C)



Model **CD-10R**  
(standard)



\*Damper dimensions furnished approximately 1/8" (3) undersize.